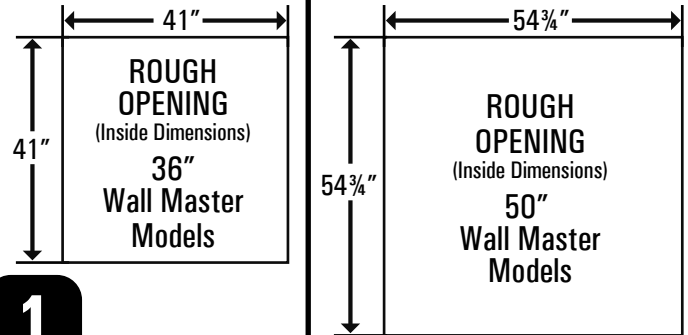


J&D Manufacturing

WALL MASTER EXHAUST FAN



For 36" models construct structurally sound 41" square rough opening.
 For 50" models construct structurally sound 54³/₄" square rough opening.



1

WARRANTY

J&D Mfg. warrants all products are free from defects in materials and workmanship under normal use for the period of one year from date of purchase and our warranty does not cover normal or regular wear and tear. J&D Mfg can repair or replace at our option, any product or part of the product that is found to be defective. Our warranty applies to materials only and does not include return freight, delivery, loss or damage to personal property, cost of removal or installation, any incidental or consequential damages or labor. This warranty does not apply to products which are misused, abused, altered, improperly installed or subject to negligence. All warranties must be approved through our warranty department. The original purchaser must present a copy of the invoice for the defective product. One year is our standard warranty unless specified on our literature or in the installation instructions/user manuals.

The top of each wall master is indicated by the location of the J&D label on the sides of the fan. Do not mount unit in any position but upright as shown below.

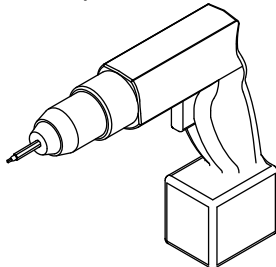
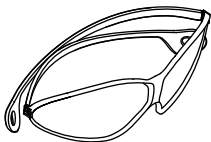
NOTE: Depth of fans is indicated only for clearance purposes and does not indicate depth of rough opening.

RECOMMENDED TOOLS FOR ASSEMBLY (NOT PROVIDED)

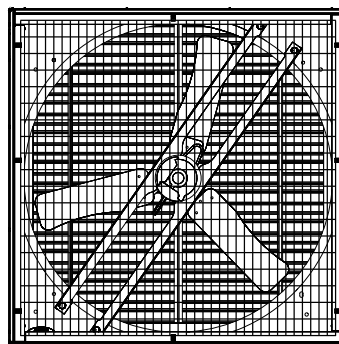
ADDITIONAL TOOLS (NOT PROVIDED) DEPENDENT ON BUILDING MATERIAL AND CHOSEN HARDWARE WILL BE NEEDED FOR INSTALLATION

Safety Glasses

#2 Square Drive Bit & Drill



Depth of 36" Direct Drive Wall Master Models

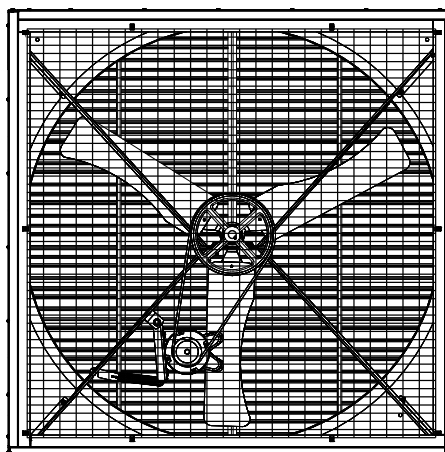


Location of J&D label indicates the top of the fan

INSTALLATION HARDWARE IS NOT PROVIDED

INSTALLATION

Please read over all instructions carefully before you begin. If you have any questions please call your local dealer, or contact J&D Manufacturing at 1-800-998-2398.

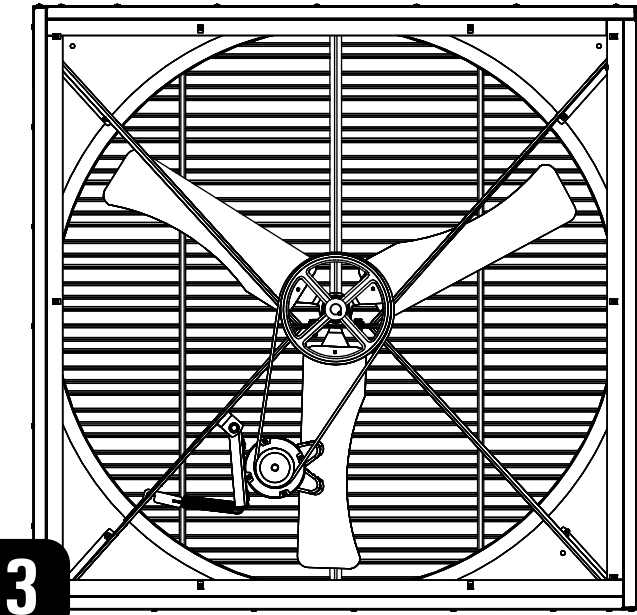
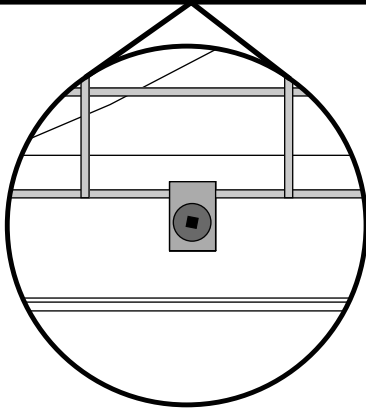
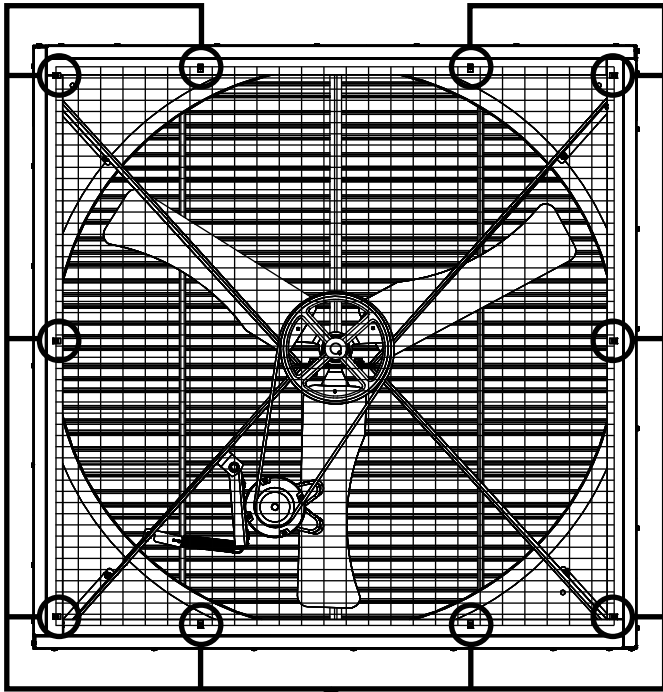


Location of J&D label indicates the top of the fan

2

Depth of 36" & 50" Belt Drive Wall Master Models

Using a #2 square drive bit remove and set aside rear guard and clips.

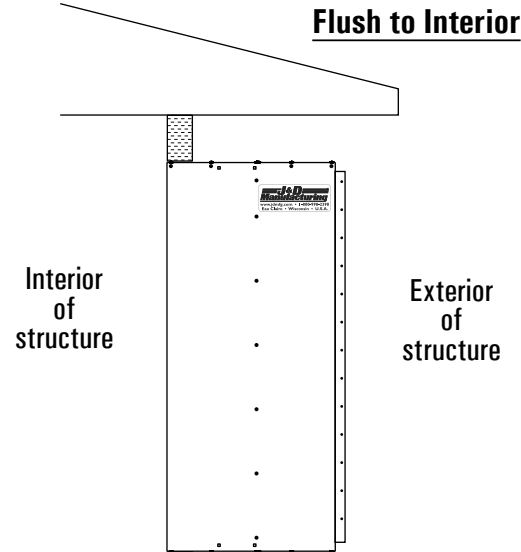


If installing optional weather hood (not included), wall master must be mounted flush to the exterior as shown in Step 4b.

The wall master fan can be mounted flush to interior as shown in **Step 4a**, flush with exterior as shown in **Step 4b**, or any location in-between as shown split in **Step 4c**.

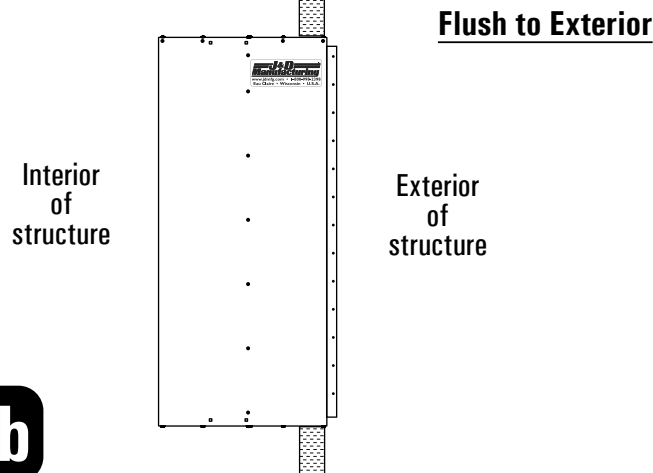
NOTE: It is recommended that the exterior exposed top of the unit as shown in **Step 4a** and **4c** be protected from collecting rain water and especially snow and ice. Damage to the unit due to inadequate protection is not covered by warranty.

Flush to Interior



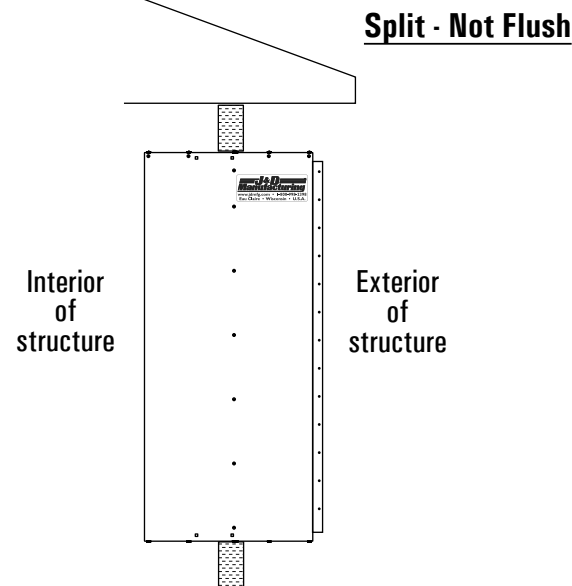
4a

Flush to Exterior



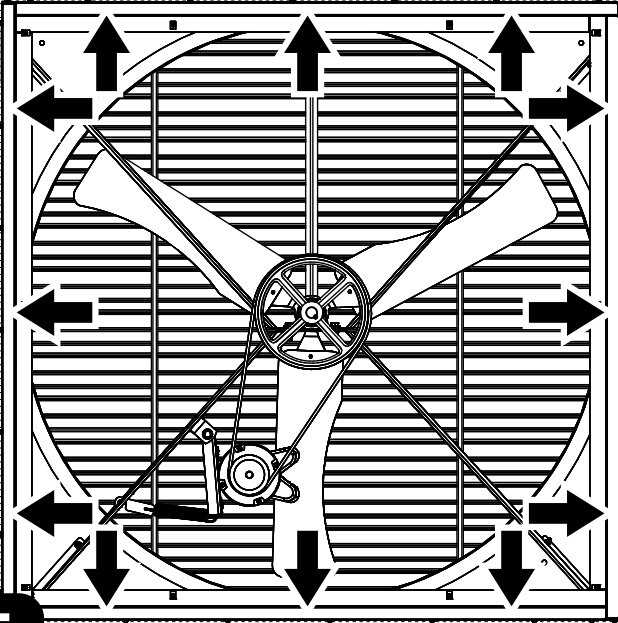
4b

Split - Not Flush

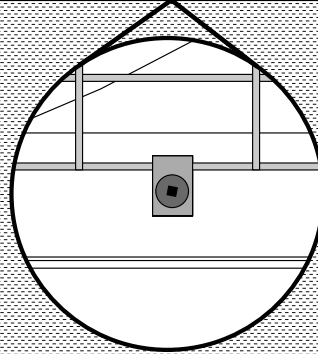
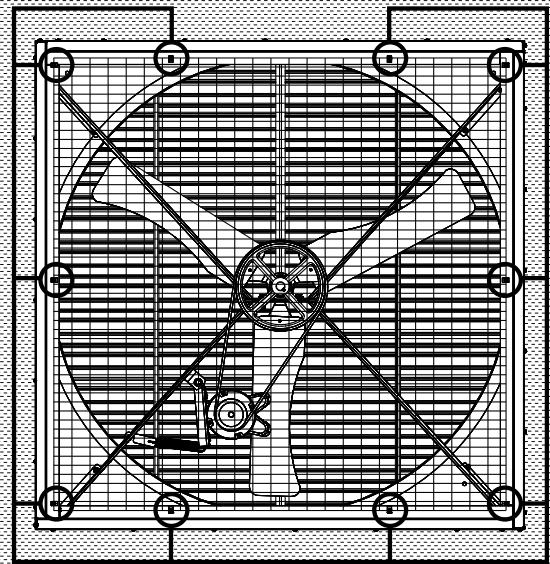
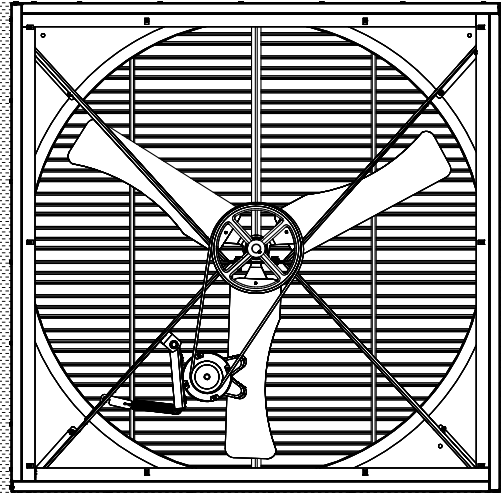


4c

Using a minimum of 12 fasteners suitable to your structure secure the unit in the opening as shown below, 3 fasteners per side.



Using a #2 square drive bit reinstall the rear guard and clips that were removed in **Step 3**.



5

⚠ DISCONNECT POWER ⚠
BEFORE INSTALLING OR SERVICING.

ALL ELECTRICAL WORK SHOULD BE COMPLETED BY QUALIFIED PERSONNEL AND MEET NATIONAL (NEC), REGIONAL AND LOCAL ELECTRIC CODES.

Connecting Power To The Unit

- Install manual disconnect switch inside building adjacent to fan.
- Use either rubber covered or flexible water-tight conduit and stranded wire.
- Route wire to motor with drip loop and secure. Drip loop will drain accumulated moisture away from the motor.
- Configure internal wires to match supply voltage and wire according to motor nameplate. Test to verify correct rotation.
- Shut off manual disconnect for remainder of install. Only permit power to unit when shutter and guard are fully installed to prevent injury.

6

7

Maintenance Instructions

- Disconnect power before cleaning or maintaining your fan in order to prevent serious injury or death.
- Service and repair of fan should only be completed by a qualified technician.
- For maximum efficiency and fan life, keep the following free from dirt and dust: blades, motor and guard.
- The totally enclosed air over motor has sealed ball bearings and does not require additional oil/lubrication.